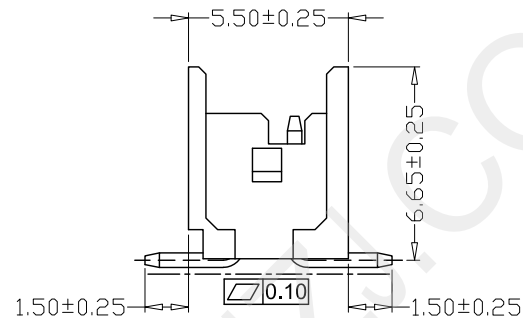
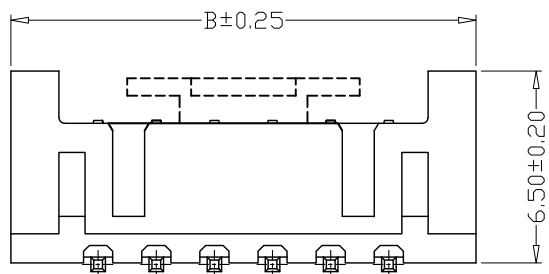
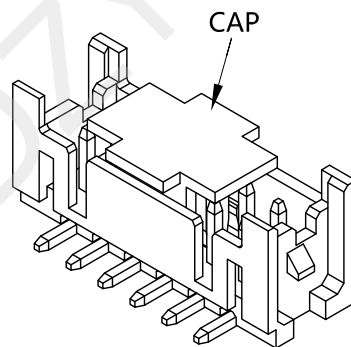
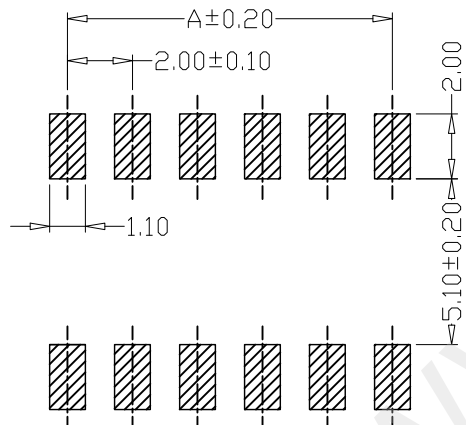


SPECIFICATIONS

- 1、Current Rating: 3A AC, DC
- 2、Voltage Rating: 250V AC, DC
- 3、Temperatuer Range: $-25^{\circ}\text{C} \sim +85^{\circ}\text{C}$
- 4、Contact Resistance: $20\text{m}\Omega$ Max
- 5、Insulation Resistance: $1000\text{M}\Omega$ Min
- 6、Withstanding Voltang: 800V AC/minute
- 7、Material: Wafer PA6T, UL94V-0
PIN Brass Tin-plated



PIN	尺寸 (mm)		
	A	B	C
2*02	2.00	8.00	4.80
2*03	4.00	10.00	6.80
2*04	6.00	12.00	8.80
2*05	8.00	14.00	10.80
2*06	10.00	16.00	12.80
2*07	12.00	18.00	14.80
2*08	14.00	20.00	16.80
2*09	16.00	22.00	18.80
2*10	18.00	24.00	20.80
2*11	20.00	26.00	22.80
2*12	22.00	28.00	24.80
2*13	24.00	30.00	26.80
2*14	26.00	32.00	28.80
2*15	28.00	34.00	30.80
2*16	30.00	36.00	32.80
2*17	32.00	38.00	34.80
2*18	34.00	40.00	36.80
2*19	36.00	42.00	38.80
2*20	38.00	44.00	40.80



PCB LAYOUT



深圳市华宇创精密电子有限公司

TOLERANCE:

X.X ± 0.30
X.XX ± 0.25
X.XXX ± 0.15
X.' $\pm 2'$ X.X' $\pm 0.5'$

UNIT: mm [inch]
SCALE: 1:1 SIZE: A4

DRAWN BY :

陈一鸣

CHECKED BY :

马跃

APPROVED BY :

邱敏

DATE :

2014-02-23

DATE :

2014-02-23

DATE :

2014-02-23

PART NAME:

PHDS 双头带钩立贴

PART NO.

HYC294-LF2XN-200

MOLD NO.

DRAW NO:

HYC-2605271017

SHEET NO.

1 OF 1